

## 4/6 P

## 4/6 POLI / POLES 1500/1000 rpm - V 400/50 Hz - Doppio avvolgimento / Double winding

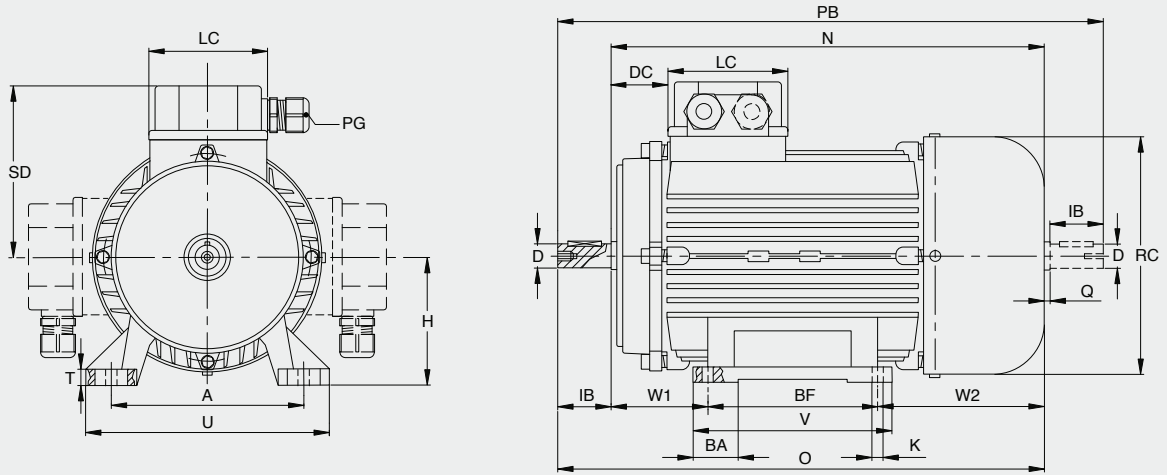
TIPO TYPE		Potenza Power		rpm	In 400 V A	Rend% Eff.%	Cosφ p.f.	Ia In	Ca Cn	Cn Nm	J kgm²	Peso Weight Kg	TIPO TYPE	DC				AC				DC - S				POS.DC				
DAV	poli poles	kw	hp											CF Nm	Cicli/h Cycles/h	PB Watt	Peso Weight Kg	CF Nm	Cicli/h Cycles/h	PB VA	Peso Weight Kg	CF Nm	Cicli/h Cycles/h	PB Watt	Peso Weight Kg	CF Nm	Cicli/h Cycles/h	PB Watt	Peso Weight Kg	CF Nm
DP71B	4	0,30	0,40	1380	1,100	71,5	0,55	3,4	1,2	2,08	0,00090	6,3	AD71B	4	4	6700	20	8,0	5	6700	40	8,0	4	6700	18	-	7,5	6700	11,5	-
	6	0,20	0,30	870	1,000	72,5	0,40	2,8	1,0	2,20	0,00090	6,3		6	4	13500	20	8,0	5	13500	40	8,0	4	13500	18	-	7,5	13500	11,5	-
DP71C	4	0,37	0,50	1405	1,118	61,0	0,78	3,4	1,3	2,52	0,00100	7,5	AD71C	4	4	6700	20	9,0	5	6700	40	9,0	4	6700	18	8,80	7,5	6700	11,5	8,0
	6	0,22	0,30	926	0,968	50,0	0,66	2,7	1,1	2,27	0,00100	7,5		6	4	13500	20	9,0	5	13500	40	9,0	4	13500	18	8,80	7,5	13500	11,5	8,0
DP80A	4	0,37	0,50	1400	1,300	62,8	0,65	3,8	1,3	2,53	0,00200	8,7	AD80A	4	8	6300	25	11,0	10	6300	70	11,0	9	6300	25	10,90	7,5	6300	16,0	9,7
	6	0,25	0,35	900	1,200	49,3	0,61	3,0	1,2	2,65	0,00200	8,7		6	8	13500	25	11,0	10	13500	70	11,0	9	13500	25	10,90	7,5	13500	16,0	9,7
DP80B	4	0,55	0,75	1419	1,628	61,0	0,80	3,8	1,3	3,70	0,00200	9,9	AD80B	4	8	6300	25	13,0	10	6300	70	13,0	9	6300	25	12,10	15,0	6300	16,0	11,0
	6	0,45	0,60	913	1,474	57,4	0,77	3,1	1,3	4,71	0,00200	9,9		6	8	13500	25	13,0	10	13500	70	13,0	9	13500	25	12,10	15,0	13500	16,0	11,0
DP90S	4	0,75	1,00	1385	2,079	61,0	0,85	4,2	1,5	5,17	0,00350	12,5	AD90S	4	16	5400	30	17,0	20	5400	120	17,0	10	5400	25	14,70	30,0	5400	21,0	14,5
	6	0,50	0,70	900	1,749	55,3	0,75	3,2	1,4	5,31	0,00350	12,5		6	16	11000	30	17,0	20	11000	120	17,0	10	11000	25	14,70	30,0	11000	21,0	14,5
DP90L	4	0,95	1,30	1448	3,200	60,0	0,72	4,5	1,6	6,27	0,00450	14,0	AD90L	4	16	5000	30	19,0	20	5000	120	19,0	10	5000	25	16,20	30,0	5000	21,0	16,0
	6	0,60	0,80	938	2,714	51,0	0,63	3,5	1,5	6,11	0,00450	14,0		6	16	9000	30	19,0	20	9000	120	19,0	10	9000	25	16,20	30,0	9000	21,0	16,0
DP90LB	4	1,10	1,50	1430	3,363	71,8	0,66	4,5	1,6	7,35	0,00500	16,0	AD90LB	4	16	4500	30	21,0	20	4500	120	21,0	10	4500	25	18,20	30,0	4500	21,0	18,0
	6	0,75	1,00	930	2,850	62,5	0,61	3,6	1,6	7,70	0,00500	16,0		6	16	8000	30	21,0	20	8000	120	21,0	10	8000	25	18,20	30,0	8000	21,0	18,0
DP100A	4	1,30	1,80	1405	3,176	70,4	0,84	5,3	1,7	8,84	0,00900	19,0	AD100A	4	32	1800	40	25,5	40	1800	160	27,5	12	1800	35	22,50	60,0	1800	28,0	22,3
	6	0,90	1,20	908	2,888	61,6	0,73	4,2	1,6	9,47	0,00900	19,0		6	32	4500	40	25,5	40	4500	160	27,5	12	4500	35	22,50	60,0	4500	28,0	22,3
DP100B	4	1,50	2,00	1446	3,408	81,0	0,79	5,4	1,9	9,91	0,01000	22,0	AD100B	4	32	1600	40	29,0	40	1600	160	33,0	12	1600	35	25,50	60,0	1600	28,0	25,3
	6	1,10	1,50	938	3,315	68,1	0,70	4,4	1,5	11,20	0,01000	22,0		6	32	4000	40	29,0	40	4000	160	33,0	12	4000	35	25,50	60,0	4000	28,0	25,3
DP112A	4	1,80	2,50	1459	4,897	71,8	0,74	6,2	1,8	11,79	0,01500	32,0	AD112A	4	60	1500	50	41,0	60	1500	300	41,0	13	1500	35	35,70	60,0	1500	28,0	38,0
	6	1,30	1,80	961	3,735	72,7	0,69	4,8	1,7	12,92	0,01500	32,0		6	60	3600	50	41,0	60	3600	300	41,0	13	3600	35	35,70	60,0	3600	28,0	38,0
DP112B	4	2,60	3,50	1469	6,844	78,6	0,70	5,5	1,6	16,91	0,01600	38,0	AD112B	4	60	1500	50	45,0	60	1500	300	47,0	13	1500	35	41,73	60,0	1500	28,0	44,0
	6	1,80	2,50	973	4,683	76,0	0,73	4,0	1,4	17,67	0,01600	38,0		6	60	3600	50	45,0	60	3600	300	47,0	13	3600	35	41,73	60,0	3600	28,0	44,0
DP132S	4	3,70	5,00	1442	7,872	81,3	0,84	5,8	1,9	24,51	0,03000	44,0	AD132S	4	80	540	55	57,0	90	540	500	58,0	17	540	35	48,50	120,0	540	38,0	55,5
	6	2,80	3,80	964	7,012	77,6	0,74	4,5	1,7	27,75	0,03000	44,0		6	80	900	55	57,0	90	900	500	58,0	17	900	35	48,50	120,0	900	38,0	55,5
DP132M	4	5,50	7,50	1450	12,000	83,0	0,80	6,0	2,0	36,24	0,03300	52,0	AD132M	4	80	540	55	65,0	90	540	500	66,0	17	540	35	56,50	120,0	540	38,0	63,5
	6	4,00	5,50	950	10,000	80,0	0,72	5,0	2,0	40,23	0,03300	52,0		6	80	900	55	65,0	90	900	500	66,0	17	900	35	56,50	120,0	900	38,0	63,5
DP160M	4	7,50	10,00	1450	15,500	86,0	0,81	6,2	1,8	49,42	0,09000	80,0	AD160M	4	150	450	85	93,0	200	450	600	98,0	30	450	65	81,00	240,0	450	45,0	100,5
	6	4,80	6,50	950	11,000	81,0	0,78	5,5	1,4	48,27	0,09000	80,0		6	150	800	85	93,0	200	800	600	98,0	30	800	65	81,00	240,0	800	45,0	100,5
DP160L	4	9,50	13,00	1430	19,000	87,0	0,83	6,5	2,0	63,47	0,11000	90,0	AD160L	4	150	450	85	109,0	200	450	600	107,0	30	450	65	97,00	240,0	450	45,0	110,5
	6	6,60	9,00	940	15,000	82,0	0,78	5,0	1,4	67,08	0,11000	90,0		6	150	800	85	109,0	200	800	600	107,0	30	800	65	97,00	240,0	800	45,0	110,5
DP160LB	4	11,00	15,00	1430	22,000	87,0	0,83	6,5	2,0	73,49	0,13000	110,0	AD160LB	4	150	450	85	129,0	200	450	600	127,0	30	450	65	117,00	240,0	450	45,0	130,5
	6	7,50	10,00	940	17,000	82,0	0,78	5,0	1,4	76,23	0,13000	110,0		6	150	800	85	129,0	200	800	600	127,0	30	800	65	117,00	240,0	800	45,0	130,5
DP180M	4	12,50	15,00	1420	24,000	88,0	0,86	6,8	1,8	84,10	0,15000	115,0	AD180M	4	260	200	100	134,0	400	200	600	134,0	-	-	-	-	480,0	200	70,0	135,5
	6	9,60	13,00	940	20,000	85,0	0,82	5,8	1,4	97,57	0,15000	115,0		6	260	200	100	134,0	400	200	600	134,0	-	-	-	-	480,0	200	70,0	135,5
DP180L	4	15,00	17,00	1420	28,000	91,0	0,85	7,0	1,7	100,92	0,17000	130,0	AD180L	4	260	200	100	149,0	400	200	600	149,0	-	-	-	-	480,0	200	70,0	150,5
	6	11,00	15,00	930	23,000	86,0	0,80	5,8	1,4	113,01	0,17000	130,0		6	260	200	100	149,0	400	200	600	149,0	-	-	-	-	480,0	200	70,0	150,5
DP200L	4	22,00	30,00	1420	40,000	91,0	0,87	7,0	1,6	148,02	0,18000	150,0	AD200L	4	400	100	100	169,0	400	100	600	169,0	-	-	-	-	480,0	100	70,0	170,5
	6	13,50	18,00	940	28,000	86,0	0,81	6,0	1,4	137,21	0,18000	150,0		6	400	100	100	169,0	400	100	600	169,0	-	-	-	-	480,0	100	70,0	170,5

Motori asincroni trifase **doppia polarità** serie DP  
 Motori asincroni trifase **doppia polarità autofrenanti** serie AD  
 DP series **two-speed** three-phase induction motors  
 AD series **two-speed** three-phase induction **brake** motors

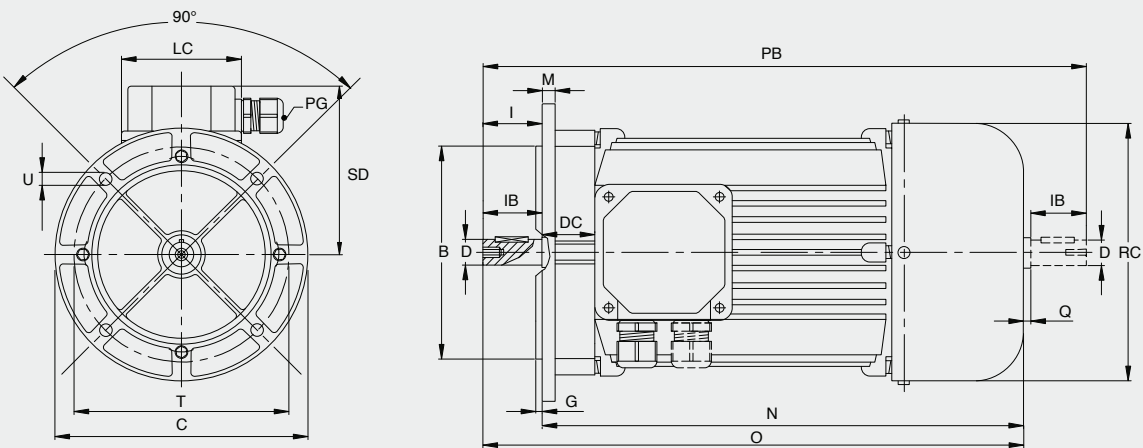
Dimensioni motori trifase e doppia polarità serie T - DP - HE2 - HE3\*\* - IN  
 Dimensions of three-phase and two-speed motors series T - DP - HE2 - HE3\*\* - IN

In generale dalla grandezza 71 ÷ 200 piedi riportati / In generale dalla grandezza 71 ÷ 200 piedi riportati

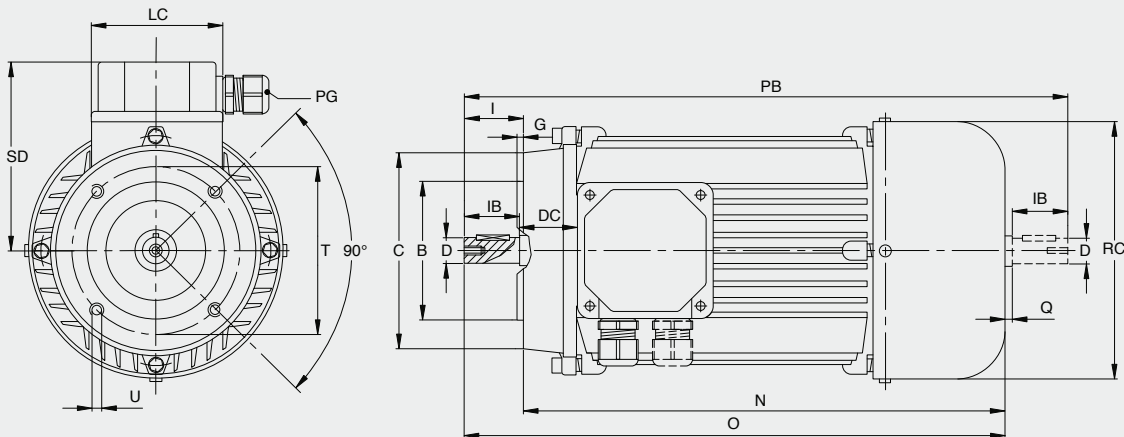
**B3**



**B5**

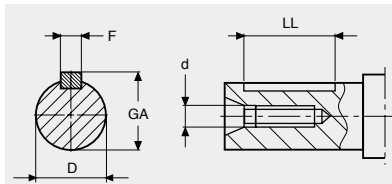


**B14**



\* vedere pag. 45    \*\* su richiesta    \* see page 45    \*\* upon request

Tab. 37



Grand. / Size	50	56	63	71	80	90	100	112	132	160	180	200
F	3	3	4	5	6	8	8	8	10	12	14	16
D	9	9	11	14	19	24	28	28	38	42	48	55
GA	10,2	10,2	12,5	16,0	21,5	27,0	31,0	31,0	41,0	45,0	52,5	59,0
d		M4	M4	M5	M6	M8	M10	M10	M12	M16	M16	M20
LL	15	15	15	20	30	40	50	50	60	100	90	100

Grand. Size	Dimensioni / Dimensions																				B3	
	D	IB	A	BF	K	H	W1	W2	N	O	PG	RC	SD	TP	U	V	PB	Q	LC	DC	BA	
56	9	20	90	71	6	56	36	61,0	168,0	188,0	M16	110	95	10	108	90	211,0	3	75	24	25	
63	11	23	100	80	7	63	40	70,5	190,5	213,5	M16	123	100	10	120	105	239,5	3	75	28	27	
71	14	30	112	90	8	71	48	80,0	218,0	248,0	M16	137	109	11	136	108	281,0	3	75	36	24	
80	19	40	125	100	9	80	54	88,0	242,0	282,0	M20	156	123	13/14	154	125	326,0	4	91	35	30	
90S	24	50	140	100	10	90	59	96,0	255,0	305,0	M20	176	128	13/15	170	130	358,0	3	91	40	30	
90L	24	50	140	125	10	90	59	96,0	280,0	330,0	M20	176	128	13/15	170	155	383,0	3	91	40	32	
100	28	60	160	140	13	100	63	109,0	312,0	372,0	M20	194	140	15/16	192	175	437,0	5	91	45	32	
112	28	60	190	140	13	112	72	118,0	330,0	390,0	M20	218	148	15	224	176	455,0	5	91	47	34	
132S	38	80	216	140	14	132	89	151,5	380,5	460,5	M32	258	177	16/18	260	180	546,5	6	106	57	37	
132M	38	80	216	178	14	132	89	151,5	418,5	498,5	M32	258	177	16/18	260	218	584,5	6	106	57	37	
160M	42	110	254	210	16	160	108	173,0	491,0	601,0	M32	309	220	18	318	260	718,0	7	165	118	52	
160L	42	110	254	254	16	160	108	173,0	535,0	645,0	M32	309	220	18	318	304	-	-	165	118	52	
180	48	110	280	280	16	180	120	210,0	610,0	720,0	M32	346	260	24	346	330	-	-	187	51	42	
200	55	110	318	305	18	200	118	208,0	631,0	741,0	M32	348	260	26	398	355	-	-	187	62	54	

Grand. Size	Dimensioni / Dimensions																				B5	
	D	I	B	C	G	M	N	O	PG	RC	SD	T	U	PB	Q	LC	DC	IB	LC	DC	BA	
56	9	20	80	120	2,5	8,5	168,0	188,0	M16	110	95	100	7,0	211,0	3	75	24	20	75	24	25	
63	11	23	95	140	2,5	10,0	190,5	213,5	M16	123	100	115	9,5	239,5	3	75	28	23	75	28	27	
71	14	30	110	160	3,0	10,0	218,0	248,0	M16	137	109	130	9,5	281,0	3	75	36	30	75	36	24	
80	19	40	130	200	3,0	11,0	242,0	282,0	M20	156	123	165	12,0	326,0	4	91	35	40	91	35	30	
90S	24	50	130	200	3,5	10,0	255,0	305,0	M20	176	128	165	12,0	358,0	3	91	40	50	91	40	30	
90L	24	50	130	200	3,5	10,0	280,0	330,0	M20	176	128	165	12,0	383,0	3	91	40	50	91	40	32	
100	28	60	180	250	4,0	14,0	312,0	372,0	M20	194	140	215	14,5	437,0	5	91	45	60	91	45	32	
112	28	60	180	250	4,0	14,0	330,0	390,0	M20	218	148	215	14,5	455,0	5	91	47	60	91	47	34	
132S	38	80	230	300	4,0	20,0	380,5	460,5	M32	258	177	265	14,5	546,5	6	106	57	80	106	57	37	
132M	38	80	230	300	4,0	20,0	418,5	498,5	M32	258	177	265	14,5	584,5	6	106	57	80	106	57	37	
160M	42	110	250	350	5,0	20,0	491,0	601,0	M32	309	220	300	18,5	718,0	7	165	118	110	165	118	52	
160L	42	110	250	350	5,0	20,0	535,0	645,0	M32	309	220	300	18,5	-	-	165	118	110	165	118	52	
180	48	110	250	350	5,0	20,0	610,0	720,0	M32	346	260	300	19,0	-	-	187	51	110	187	51	42	
200	55	110	300	400	5,0	20,0	631,0	741,0	M32	348	260	350	19,0	-	-	187	62	110	187	62	54	

Grand. Size	Dimensioni / Dimensions																			B14	
	D	I	B	C	G	N	O	PG	RC	SD	T	U	PB	Q	LC	DC	IB				
50A	9	20	50	80	2,5	125,0	145,0	M16	98	77	65	M5	-	-	56	20	20				
50B	9	20	50	80	2,5	141,0	161,0	M16	98	77	65	M5	184,0	3	64	23	20				
56	9	20	50	80	2,5	168,0	188,0	M16	110	95	65	M5	211,0	3	75	24	20				
63	11	23	60	90	2,5	190,5	213,5	M16	123	100	75	M5	239,5	3	75	28	23				
71	14	30	70	105	3,0	218,0	248,0	M16	137	109	85	M6	281,0	3	75	36	30				
80	19	40	80	120	3,0	242,0	282,0	M20	156	123	100	M6	326,0	4	91	35	40				
90S	24	50	95	140	3,0	255,0	305,0	M20	176	128	115	M8	358,0	3	91	40	50				
90L	24	50	95	140	3,0	280,0	330,0	M20	176	128	115	M8	383,0	3	91	40	50				
100	28	60	110	160	4,0	312,0	372,0	M20	194	140	130	M8	437,0	5	91	45	60				
112	28	60	110	160	4,0	330,0	390,0	M20	218	148	130	M8	455,0	5	91	47	60				
132S	38	80	130	200	4,0	380,5	460,5	M32	258	177	165	M10	546,5	6	106	57	80				
132M	38	80	130	200	4,0	418,5	498,5	M32	258	177	165	M10	584,5	6	106	57	80				
160M	42	110	180	250	4,0	491,0	601,0	M32	309	220	215	M12	718,0	7	165	118	110				
160L	42	110	180	250	4,0	535,0	645,0	M32	309	220	215	M12	-	-	165	118	110				

B14 - grandezze 180 / 200 disponibili su richiesta B14 - sizes 180 / 200 available on request